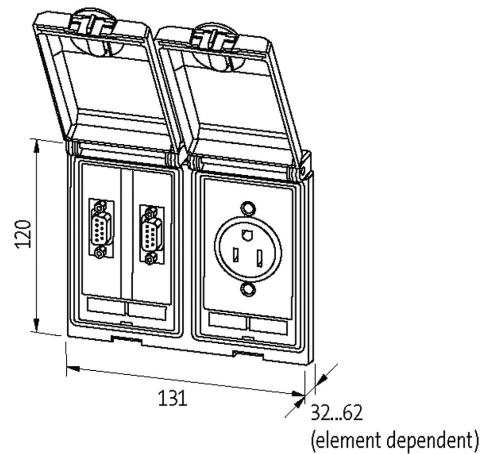
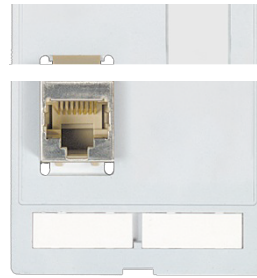


Modlink MSDD-set: Frame 4000-68122-0000000,
insert 4000-68000-1210000 + 4000-68000-0120000

Illustration





Product may differ from Image

Frame

suitable for mounting with wall thickness	1...5 mm
Protection	IP65
Housing	Zinc die-casting, KTL coated
Temperature range	-10...+60 °C (storage temperature -25...+60 °C)

RJ45

Operating voltage (UL Rating)	max. 30 V AC/42.4 V DC
Operating current (UL Rating)	max. 175 mA
Connection front side	RJ45
Connection rear side	RJ45
Locking of ports	Snap In
Specification	CAT5e, Class D, 100 MHz, (EN 50173-1)

Swiss

Operating voltage	250 V AC
Operating current	10 A
No. of poles	2 + PE
Connection	Spring clamp terminals: max. 2× 1.5 mm ² (AWG 16)

Commercial data

country of origin	DE
customs tariff number	85366990
EAN	4048879642262
eClass	27189217
Packaging unit	1